

PRODUCT INFORMATION PACKET

Model No: 5KCP39SNB482S

Catalog No: P195

1 HP Condenser Fans HVAC/R Motor, 1 phase, 1200 RPM, 200-230/460 V, 48Z Frame, OPEN
Condenser Fans Motors



Nameplate Specifications

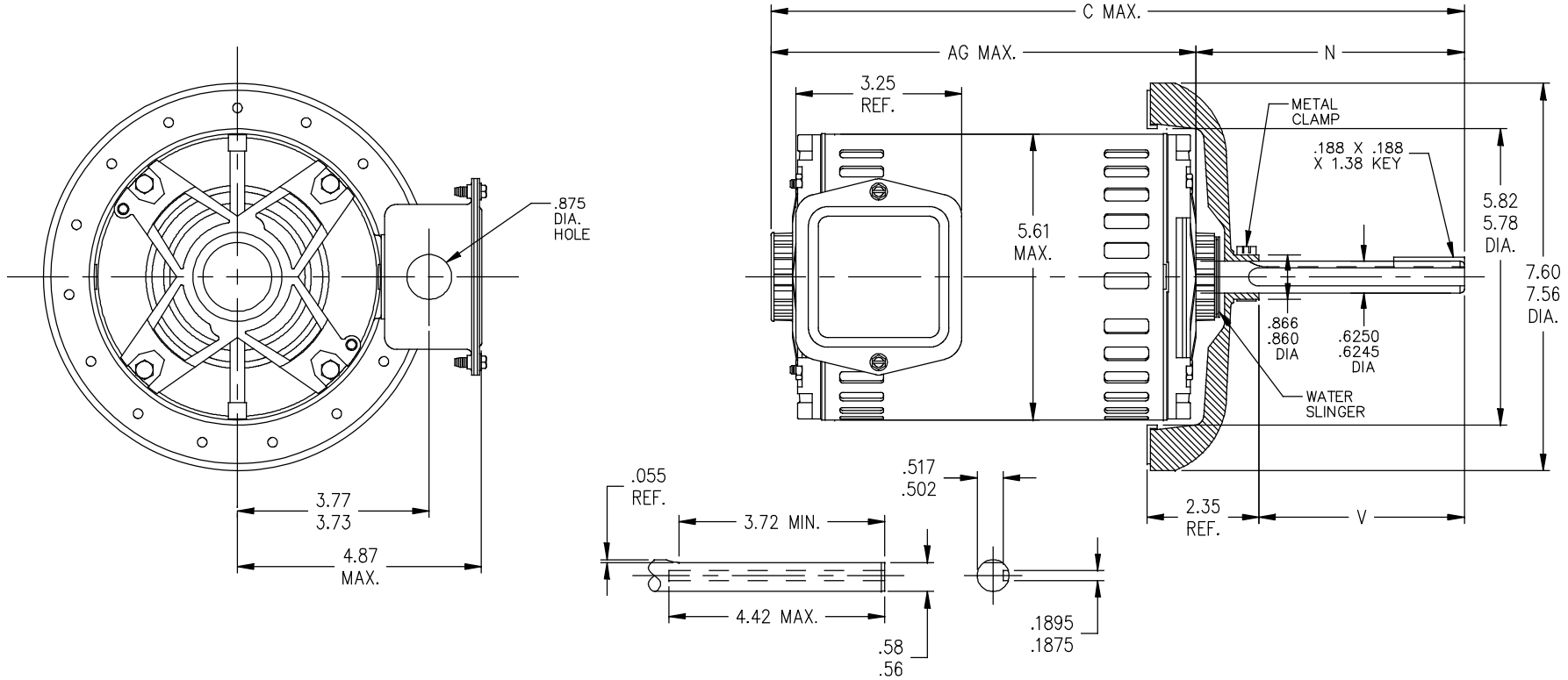
Output HP	1 Hp	Output KW	0.75 kW
Frequency	60 Hz	Voltage	200-230/460 V
Current	5.8-5.6,2.8 A	Speed	1075 rpm
Service Factor	1	Phase	1
Efficiency	67 %	Power Factor	0
Duty	Continuous	Insulation Class	B
KVA Code	A	Frame	48Z
Enclosure	Open Enclosed	Thermal Protection	AUTO
Ambient Temperature	60 °C	Drive End Bearing Size	6203
Opp Drive End Bearing Size	6203	UL	Recognized
CSA	Yes	CE	N

Technical Specifications

Electrical Type	Permanent Split Capacitor(PSC)	Starting Method	N/R
Poles	6	Rotation	Clockwise/Counterclockwise
Mounting	Round	Motor Orientation	ANY
Drive End Bearing	BALL	Opp Drive End Bearing	Ball
Frame Material	Rolled Steel	Overall Length	16.05 in
Frame Length	8.5 in	Shaft Diameter	0.630 in
Shaft Extension	5.22 in	Thru-bolts Extension	0 in
Outline Drawing	52B211501P1	Connection Drawing	119A9424

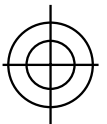
This is an uncontrolled document once printed or downloaded and is subject to change without notice. Date Created:03/11/2020

52B211501



									TOLERANCES UNLESS SPECIFIED		REGAL-BELOIT CORPORATION		DRAWN DURGA 06/07/04				
									DEC.	INCHES			CHK	DURGA 06/07/04			
									X	±0.1			APPD	DURGA 06/07/04			
3	UPDATED THRU BOLT ORIENTATION PER ECO-0191432	SN08/28/2020	SN	XX	±0.02	TITLE		OUTLINE		SCALE		1:1					
2	C, N, AG, V DIM. CHG. PER ECO-0059175	KR 09/01/14	PVK	XXX	±0.005	FROM N - SPECIAL PURPOSE MOTOR PARTS - OPEN - BALL BRG.		REF									
1	UPDATED FORMAT	MAM 11/02/05	CHK	ANG	±1	MAT'L		FINISH		PREV							
NO. REVISION			BY & DATE		CHK	ANG	±1	FINISH		PREV							
THIS DRAWING IN DESIGN AND DETAIL IS OUR PROPERTY AND MUST NOT BE USED EXCEPT IN CONNECTION WITH OUR WORK. ALL RIGHTS OF DESIGN AND INVENTION ARE RESERVED. THIS IS AN ELECTRONICALLY GENERATED DOCUMENT - DO NOT SCALE THIS PRINT									RFP	ANG	±1	CAD FILE		52B211501	SIZE	DRAWING NO.	REV.
									DIST			B	52B211501	3			

1	K,KCP	39	48Z	15.87	5.67 5.61	10.21	3.69 3.59	8.50
P	TYPE	RBC SIZE	NEMA FR	C	N	AG	V	SHELL LGTH.



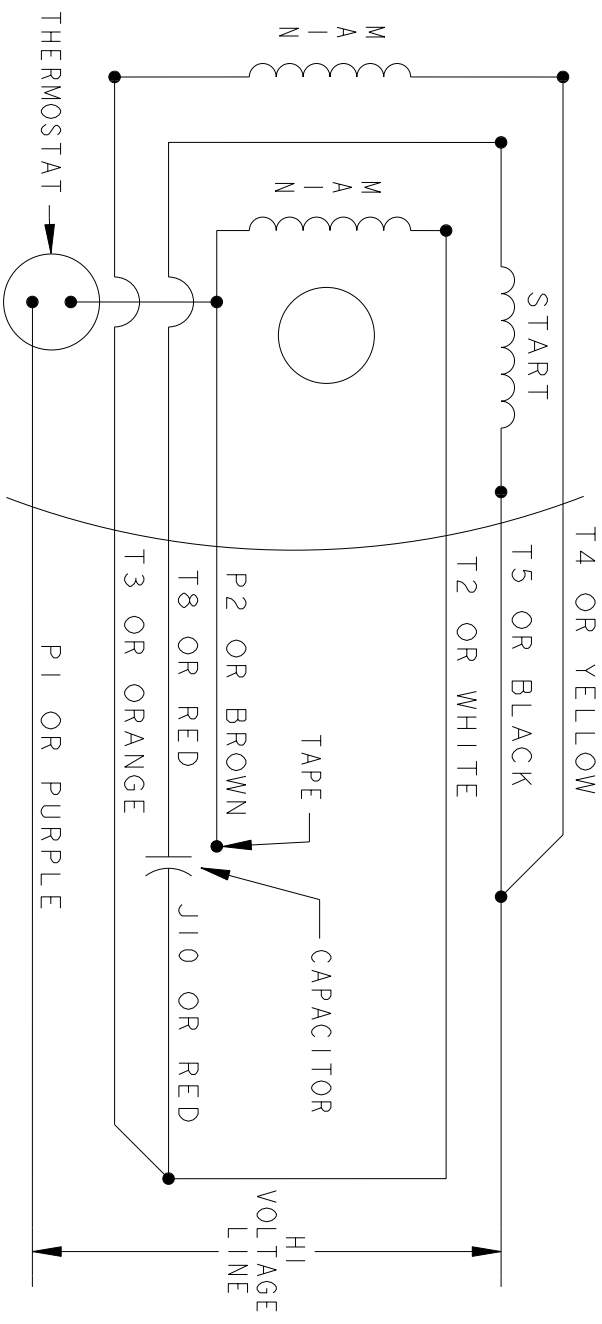
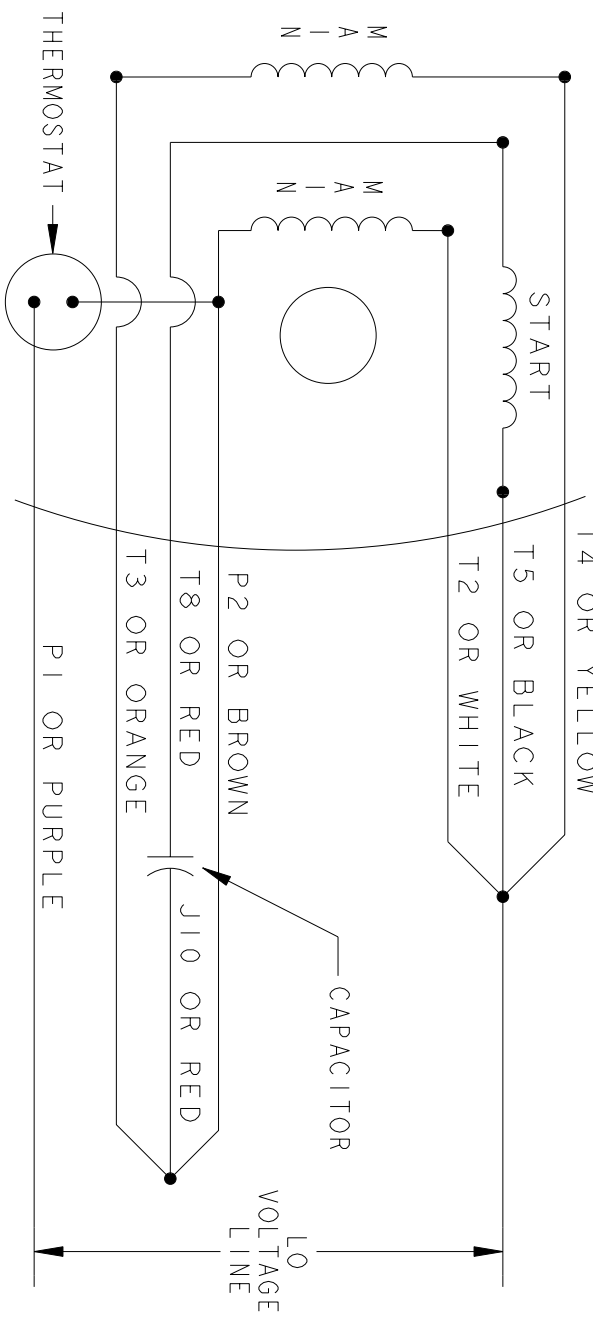
THIRD ANGLE PROJECTION

REVISIONS

REV.	DESCRIPTION	DATE	APPROVED
3	CHG TO RBC FORMAT PER ISO5-11777	06/29/06	MADHU

CCW/CW ROTATION - DUAL VOLTAGE

TYPE KCP WITH THERMOSTAT



NOTE #1 - TO REVERSE ROTATION, INTERCHANGE T8 RED AND T5 BLACK LEADS.
 NOTE #2 - WHEN MORE THAN ONE CAPACITOR IS USED, CONNECT IN PARALLEL.

REF. DIAG. - NONE CONNECTION LABEL-52X333162AA

SIGNATURES	DATE
MODEL J.R.M.	03/23/02
DETAIL	.
CHECKED	.
ENGRG	.
MFG	.
QUALITY	.
ISSUED	M.D. PAPER 05/22/96
APPLIED PRACTICES	✓
DIMENSIONS ARE IN INCHES	
MATERIAL	SOLID MODEL: 119A9424



REGAL-BELOLT CORPORATION

CONNECTION DIAGRAM

FME - 5KCP47TG78T

TITLE	SIZE DRAWING	SCALE: 1.000	REF. No.:	SHEET 1 of 1
	A			
				REV 3